

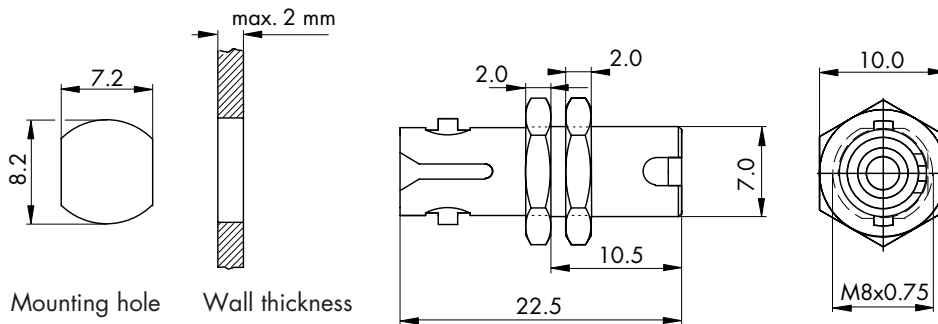


HYBRID ADAPTERS

FST – FCPC

This adapter connects a FST connector with a FCPC connector.

- Slotted zirconia ceramic sleeve
- For singlemode and multimode connectors
- FST connection in accordance with IEC 60874-10
- FCPC connection in accordance with IEC 60874-7
- Temperature range: – 40°C to +85°C
- Service life: min. 1000 mating cycles



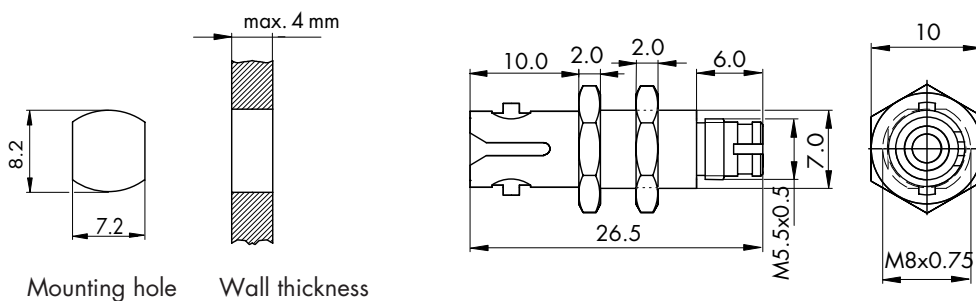
Order table

Adapter type:	Features:	Type:
FST – FCPC	Hybrid adapter with zirconia ceramic sleeve, PC and APC, wide key	FST-FCPC-C100

FST – FLSA

This adapter connects a FST connector with a FLSA connector.

- Slotted zirconia ceramic sleeve
- For singlemode and multimode connectors
- FST connection in accordance with IEC 60874-10
- FLSA connection in accordance with CECC-86 135-801
- Temperature range: – 40°C to +85°C
- Service life: min. 1000 mating cycles



Order table

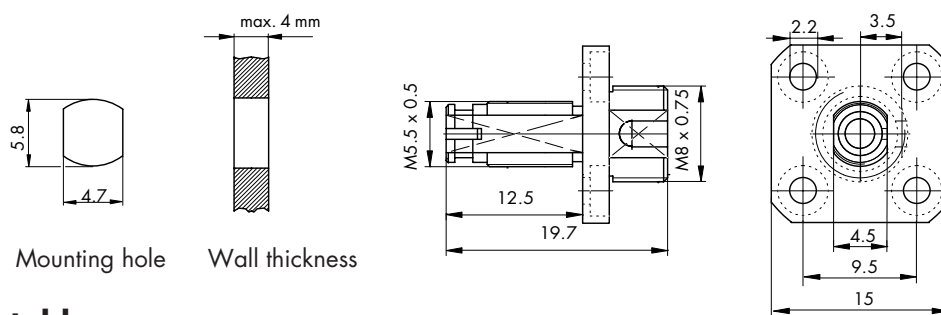
Adapter type:	Features:	Type:
FST – FLSA	Hybrid adapter with zirconia ceramic sleeve	FST-FLSA-C100

HYBRID ADAPTERS

FCPC – FLSA

This adapter connects a FCPC connector with a FLSA connector.

- Slotted zirconia ceramic sleeve
- For singlemode and multimode connectors
- Suitable for APC (APC 8°) applications
- FCPC connection in accordance with IEC 60874-7
- FLSA connection in accordance with CECC-86 135-801
- Temperature range: – 40°C to +85°C
- Service life: min. 1000 mating cycles



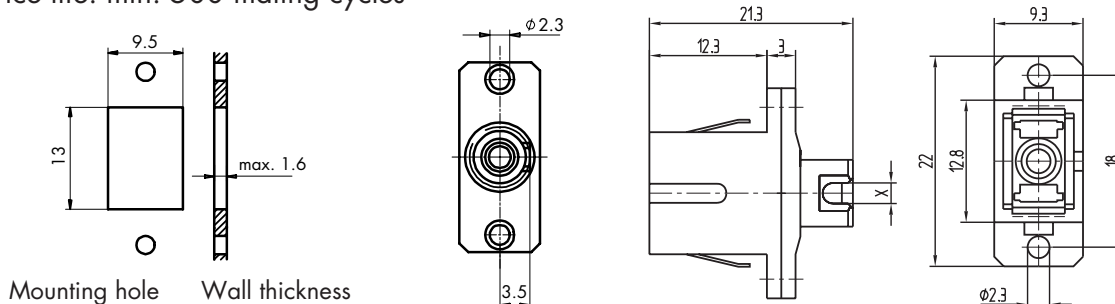
Order table

Adapter type:	Features:	Type:
FCPC – FLSA	Hybrid adapter with zirconia ceramic sleeve, PC and APC, wide key	FCPC-FLSA-E100

FSC – FCPC

This adapter connects a FSC connector with a FCPC connector.

- Slotted zirconia ceramic sleeve
- For singlemode and multimode connectors
- Suitable for APC (APC 8°) applications
- FSC connection in accordance with IEC 60874-14
- FCPC connection in accordance with IEC 60874-7
- Temperature range: – 40°C to +85°C
- Service life: min. 500 mating cycles



Order table

Adapter type:	Features:	Type:
FSC - FCPC	Hybrid adapter with zirconia ceramic sleeve, PC and APC, wide key	FSC-FCPC-D101

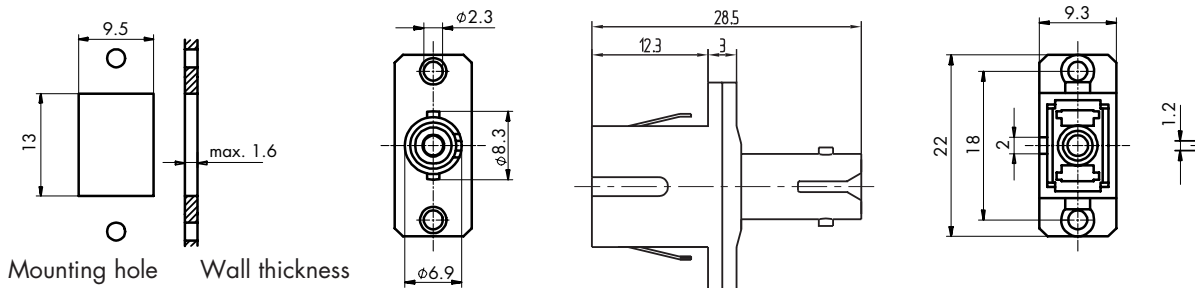


HYBRID ADAPTERS

FSC – FST

This adapter connects a FSC connector with a FST connector.

- Slotted zirconia ceramic sleeve
- For singlemode and multimode connectors
- Suitable for APC applications
- FSC connection in accordance with IEC 60874-10
- FST connection in accordance with IEC 60874-14
- Temperature range: – 40°C to +85°C
- Service life: min. 500 mating cycles



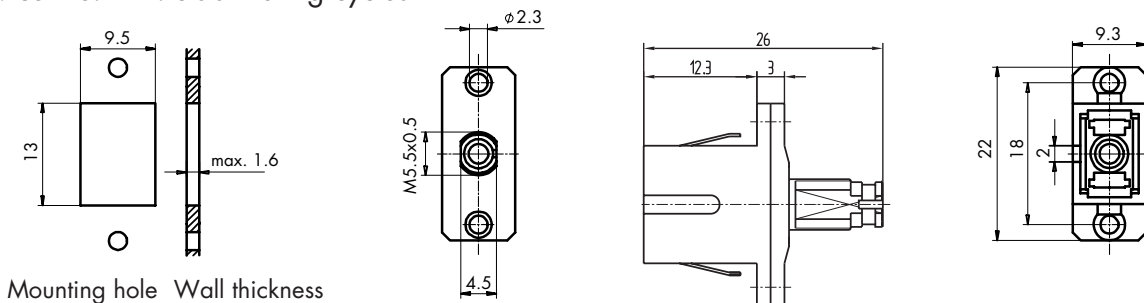
Order table

Adapter type:	Features:	Type:
FSC – FST	Hybrid adapter with zirconia ceramic sleeve	FSC-FST-D100

FSC – FLSA

This adapter connects a FSC connector with a FLSA connector.

- Slotted zirconia ceramic sleeve
- For singlemode and multimode connectors
- Suitable for APC (APC 8°) applications
- FSC connection in accordance with IEC 60874-14
- FLSA connection in accordance with CECC-86 135-801
- Temperature range: – 40°C to +85°C
- Service life: min. 500 mating cycles



Order table

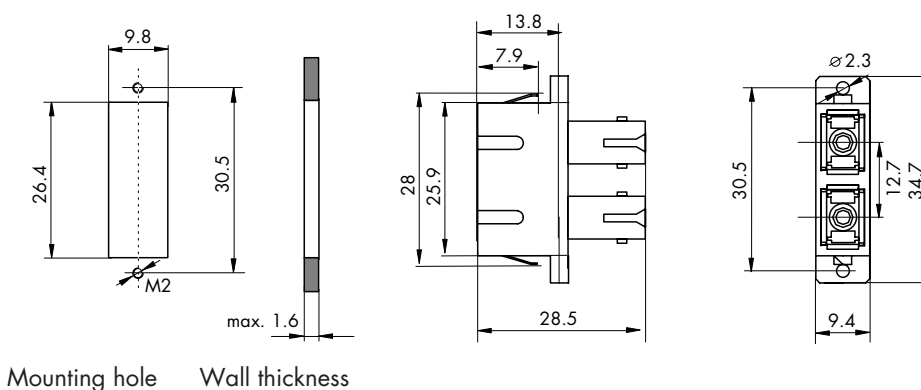
Adapter type:	Features:	Type:
FSC – FLSA	Hybrid adapter with zirconia ceramic sleeve	FSC-FLSA-D100

HYBRID ADAPTERS

FSC Duplex – FST

This adapter connects two FST connectors with a FSC Duplex connector.

- Phosphor-bronze sleeve for multimode
- Zirconia ceramic sleeve for singlemode
- For singlemode and multimode connectors
- FST connection in accordance with IEC 60874-10
- FSC connection in accordance with IEC 60874-14
- Temperature range: – 40°C to +85°C
- Service life: 250 mating cycles at least

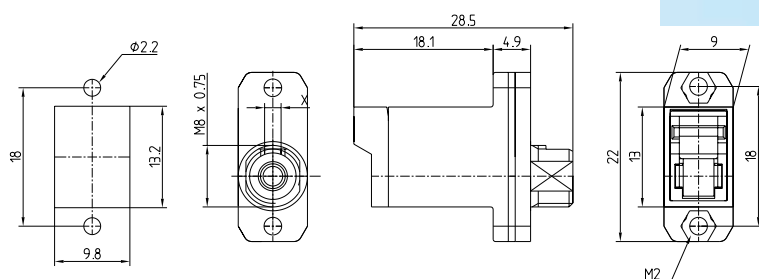


Order table

Adapter type:	Features:	Type:
FSC Duplex – FST	Hybrid adapter with phosphor-bronze sleeve	FSC-FST-D200-02
FSC Duplex – FST	Hybrid adapter with zirconia ceramic sleeve	FSC-FST-D100-02
FSC Duplex – FST	Hybrid adapter with phosphor-bronze sleeve	FSC-FST-D201-01

FLSH-FCPC

- Slotted zirconia ceramic sleeve; standard coded
- For SM, MM and HRL connector (APC 8°)
- Temperature range: – 40°C to +85°C
- Service life: min. 500 cycles
- (x): key width: 2.15 mm; upon req. 2 mm



Order table

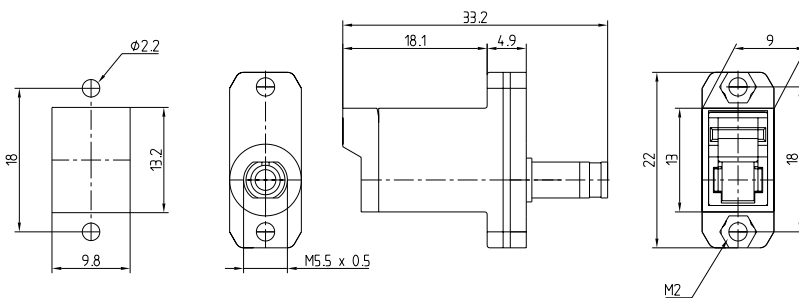
Adapter type:	Features:	Type:
FLSH-FCPC (PC)	Hybrid adapter with zirconia ceramic sleeve, wide key, blue	FLSH-FCPC-D101
FLSH-FCPC (APC)	Hybrid adapter with zirconia ceramic sleeve, wide key, green	FLSH-FCPC-D601
FLSH-FCPC (APC)	Hybrid adapter with zirconia ceramic sleeve, small key, green	FLSH-FCPC-D602



HYBRID ADAPTERS

FLSH-FLSA

- Slotted zirconia ceramic sleeve
- For SM, MM and HRL connector (APC 8°)
- Temperature range: - 40°C to +85°C
- Service life: min. 500 cycles

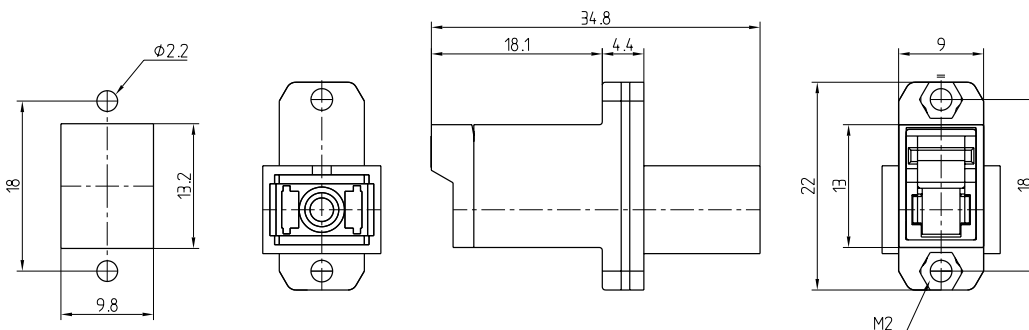


Order table

Adapter type:	Features:	Type:
FLSH-FLSA (PC)	Hybrid adapter with zirconia ceramic sleeve, blue	FLSH-FLSA-D101
FLSH-FLSA (APC)	Hybrid adapter with zirconia ceramic sleeve, green	FLSH-FLSA-D601

FLSH-FSC

- Slotted zirconia ceramic sleeve; standard coded
- For SM, MM and HRL connector (APC 8°)
- Temperature range: - 40°C to +85°C
- Service life: min. 500 cycles



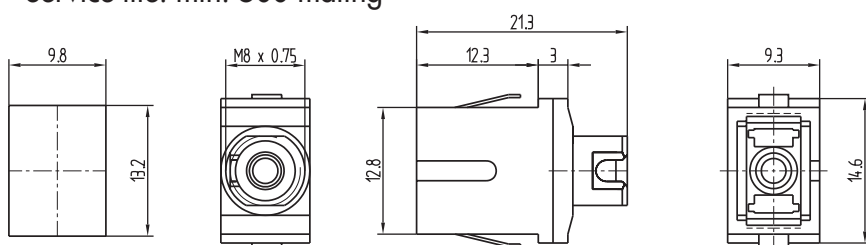
Order table

Adapter type:	Features:	Type:
FLSH-FSC (PC)	Hybrid adapter with zirconia ceramic sleeve, blue	FLSH-FSC-D101
FLSH-FSC (APC)	Hybrid adapter with zirconia ceramic sleeve, green	FLSH-FSC-D601

HYBRID ADAPTERS

FSC – FCPC

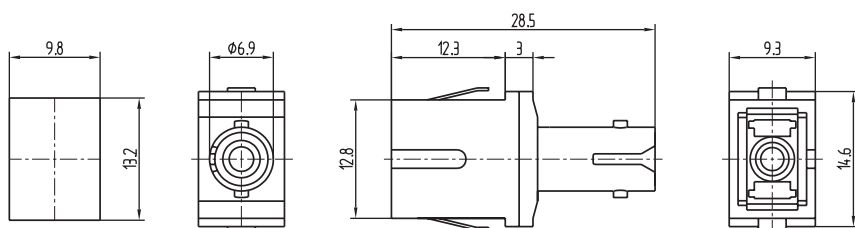
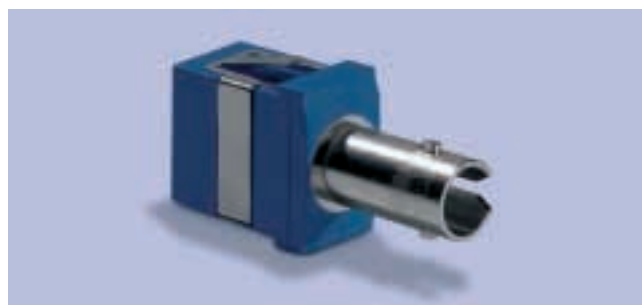
- This flangeless adapter connects an FSC connector with an FCPC connector
- Slotted zirconia ceramic sleeve
 - For singlemode and multimode connectors
 - For HRL (APC 8°)
 - FSC connection in accordance with IEC 60874-14
 - FCPC connection in accordance with IEC 60874-7
 - Temperature range: – 40°C to +85°C
 - Service life: min. 500 mating



Adapter type	Features	Type:
FSC-FCPC	Hybrid adapter with zirconia ceramic sleeve, blue	FSC-FCPC-A100
FSC-FCPC	Hybrid adapter with zirconia ceramic sleeve, black	FSC-FCPC-A101

FSC-FST

- This flangeless adapter connects an FSC connector with an FST connector
- Slotted zirconia ceramic sleeve
 - For singlemode and multimode connectors
 - FSC connection in accordance with IEC 60874-14
 - FCPC connection in accordance with IEC 60874-10
 - Temperature range: – 40°C to +85°C
 - Service life: min. 500 mating



Adapter type	Features	Type:
FSC-FST	Hybrid adapter with zirconia ceramic sleeve, blue	FSC-FST-A100
FSC-FST	Hybrid adapter with zirconia ceramic sleeve, black	FSC-FST-A101



HYBRID ADAPTERS

Technical data/order table

Adapter type	Panel mounting	Operating temperature [°C]	Mating cycles	Dim. for installation [mm] (W x H)	Max. wall thickn. [mm]	Type:
FST-FCPC	fixed hexagon flange and 1 loose nut	-40 to +85	min. 1000	8.2 x 7.2	2	FST-FCPC-C100
FST-FLSA	2 loose nuts	-40 to +85	min. 1000	8.2 x 7.2	4	FST-FLSA-B100
	fixed hexagon flange and 1 loose nut	-40 to +85	min. 1000	8.2 x 7.2	4	FST-FLSA-C100
FCPC-FLSA	1 loose nut	-40 to +85	min. 1000	5.8 x 4.7	4	FCPC-FLSA-C100
	4-hole flange	-40 to +85	min. 1000	5.8 x 4.7	4	FCPC-FLSA-E100
FSC-FCPC	2-hole flange	-40 to +85	min. 500	9.8 x 13.2	1.6	FSC-FCPC-D10
FSC-FST	2-hole flange	-40 to +85	min. 500	9.8 x 13.2	1.6	FSC-FST-D100
FSC-FLSA	2-hole flange	-40 to +85	min. 500	9.8 x 13.2	1.6	FSC-FLSA-D100
FSC-FST-Duplex	2-hole flange	-40 to +85	min. 250	9.8 x 26.4	1.6	FSC-FST-D200-02
FLSH-FCPC norm. coded	2-hole flange	-40 to +85	min. 500	9.8 x 13.2	1.6	FLSH-FCPC-D101 (PC) FLSH-FCPC-D601 (APC) FLSH-FCPC-D602 (APC)
FLSH-FLSA norm. coded	2-hole flange	-40 to +85	min. 500	9.8 x 13.2	1.6	FLSH-FLSA-D101 (PC) FLSH-FLSA-D601 (APC)
FLSH-FSC norm. coded	2-hole flange	-40 to +85	min. 500	9.8 x 13.2	1.6	FLSH-FSC-D101 (PC) FLSH-FSC-D601 (APC)
FSC-FST	flangeless	-40 to +85	min. 500	9.3 x 14.6	3.0	FSC-FST-A100 FSC-FST-A101
FSC-FCPC	flangeless	-40 to +85	min. 500	9.3 x 14.6	3.0	FSC-FCPC-A100 FSC-FCPC-A101

Types printed extra bold are stock items.
Other hybrid adapters available upon request!

